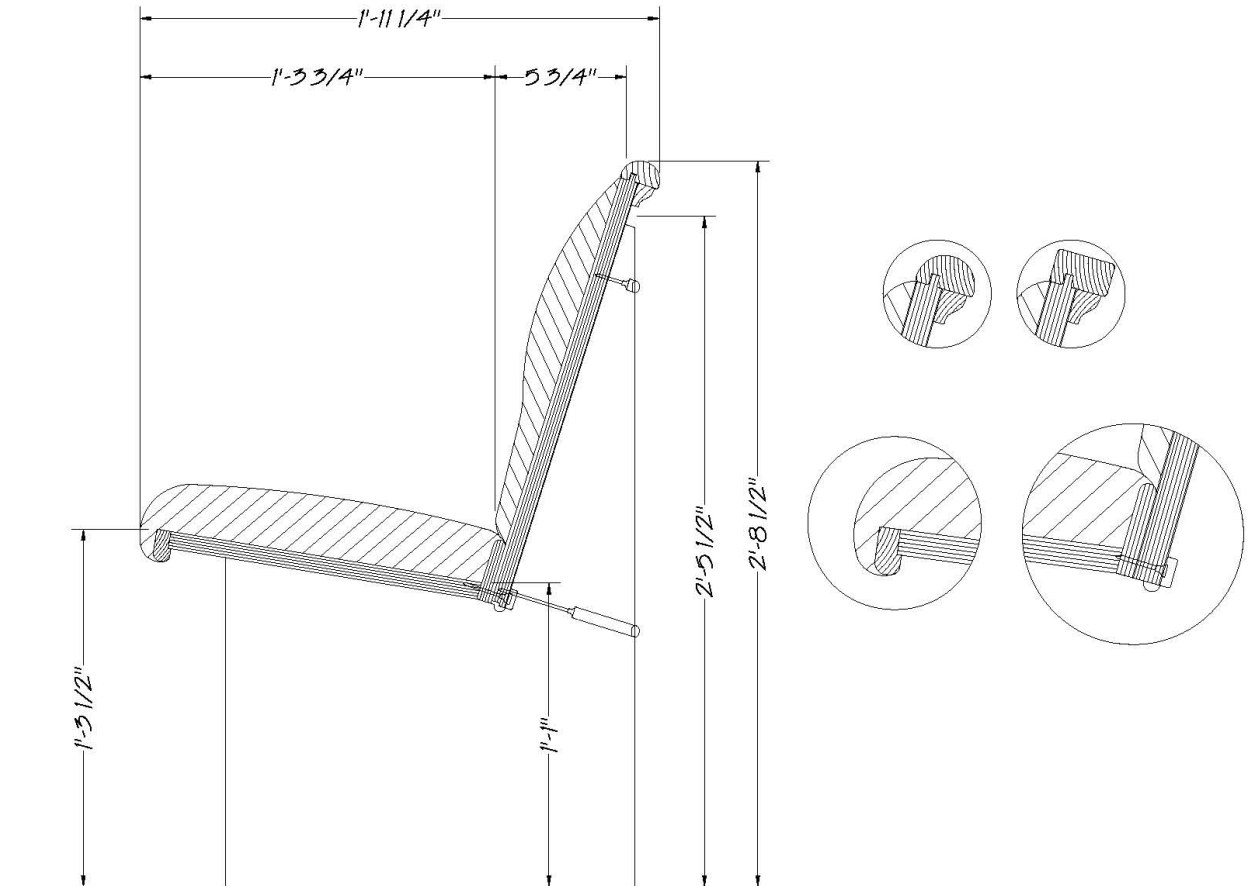


# NEW HOLLAND

## Church Furniture

"Setting the Industry Standard"™



### SPECIFICATIONS FOR: 84-US3

#### SEATS:

- Upholstered foam seat. Construction to consist of 3/4" cabinet grade plywood seat foundation reinforced with wood members running horizontally and continuously along front and back edge of seat for maximum strength and stability.
- 3" thick, 1.85 lb. density foam glued to seat foundation.
- Upholstered with choice of fabric. Fabric is tightly stretched using even pneumatic pressure, with edges tucked, folded, and stapled to underseat.

#### BACKS:

- Contoured upholstered face, upholstered backside.
- Construction to consist of 3/4" cabinet grade plywood core.
- Face side includes a contoured profile foam with 1.5 lb. density.
- Both sides are upholstered with choice of fabric. Fabric is tightly stretched using even pneumatic pressure, with edges tucked and stapled to center core.
- Finished with 5/4 solid wood cap rail with a tongue and groove joint securely fastened to back, and a solid wood undercap molding.

\* Also available with spring seating system (optional).

\* W Option – 2" wider back available